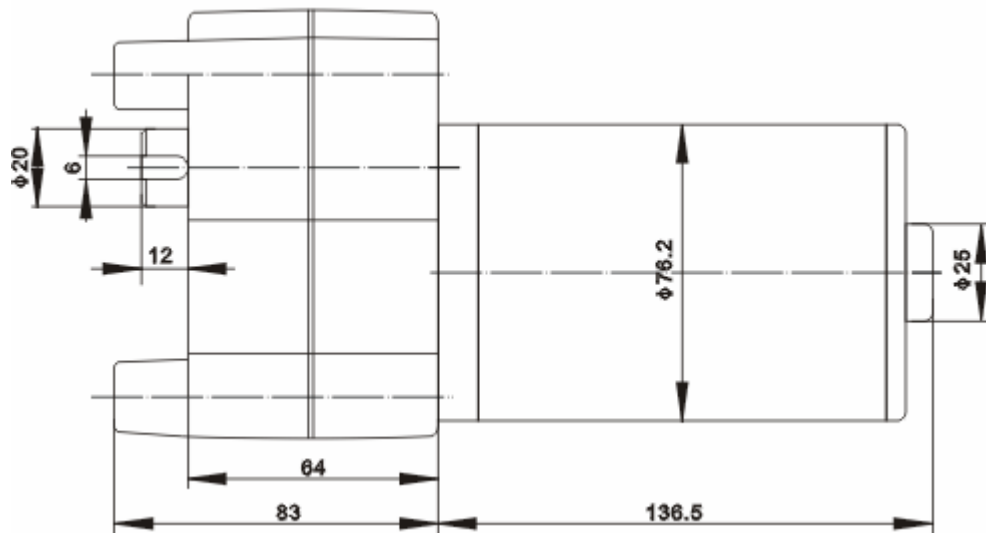
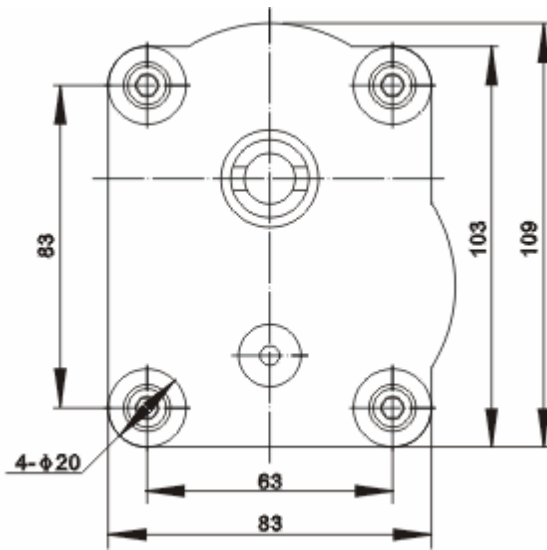


The motor can offer large power and clutch in gearhead enables gear to protect itself when the torque at the end of shaft is in due.



Type	Rated voltage V	No-load speed r/min	Rated current A	Rated torque mN.m	Rated speed r/min	Rated power W
76ZY12-360/ 83JC63H20	12	100		39000	88	360